

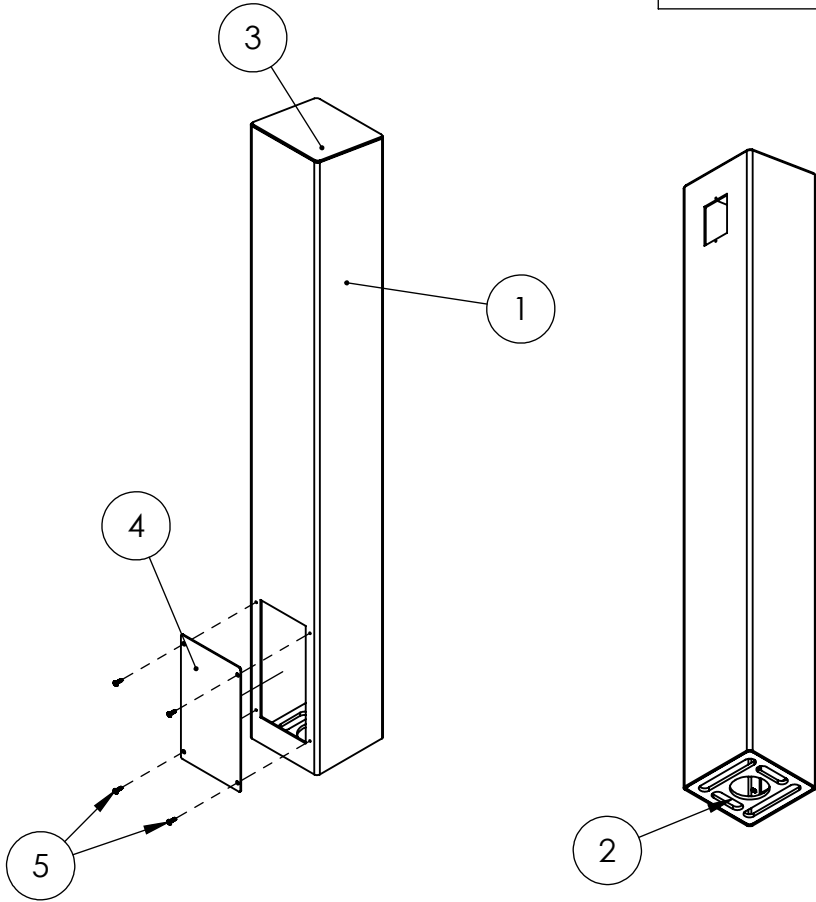
NOTES:
 1. MATERIAL OF CONSTRUCTION IS 304 SS BRUSHED #4 FINISH.

UNLESS OTHERWISE SPECIFIED:
 DIMENSIONS ARE IN INCHES
 TOLERANCES:
 FRACTIONAL $\pm 1/32$
 ANGULAR: $\pm 2^\circ$
 TWO PLACE DECIMAL ± 0.010
 THREE PLACE DECIMAL ± 0.005
 INTERPRET GEOMETRIC
 TOLERANCING PER:
 ASME Y14.5 -2009

	NAME	DATE
DRAWN		
CHECKED		

TITLE: INSTALLATION		
SIZE A	PART NO. ADA-SS-TWR-47x6x6	REV 0
WEIGHT:	NO SCALE	SHEET 1 OF 5

ITEM NO.	PART NUMBER	DESCRIPTION	QTY.
1	ADA-SS-TWR-47x6x6	TUBE WELDMENT	1
2	BASE PLATE 6 ADA	304 SS BASE PLATE	1
3	CAP PLATE 6 ADA	STANDARD 6" ADA CAP PLATE	1
4	ACCESS COVER 6	ACCESS COVER PLATE	1
5	---	8-32 SS BUTTON HEAD SCREW	4



- NOTES:
1. SEE STANDARD PREPARATION AND COATING INSTRUCTIONS FOR COATING PROCEDURE AND COLOR.
 2. SEE STANDARD PACKING INSTRUCTIONS FOR PACKAGING PROCEDURE.

UNLESS OTHERWISE SPECIFIED:

DIMENSIONS ARE IN INCHES
TOLERANCES:
FRACTIONAL $\pm 1/32$
ANGULAR: $\pm 2^\circ$
TWO PLACE DECIMAL ± 0.010
THREE PLACE DECIMAL ± 0.005

INTERPRET GEOMETRIC
TOLERANCING PER:
ASME Y14.5 -2009

	NAME	DATE
DRAWN		
CHECKED		

TITLE:
ASSEMBLY

SIZE A	PART NO. ADA-SS-TWR-47x6x6	REV 0
WEIGHT:	NO SCALE	SHEET 2 OF 5